

# BlueDiamond™

The only fit and forget condensate pump

## Too good to be true?

- 50 litres/hour flow
- 20 metres head
- 7m suction lift/self priming
- ultra reliable – 2 year warranty
- whisper quiet
- slimline/lightweight
- integral failsafe alarm



### Blue Diamond options



reservoir sensing  
with alarm contacts



temperature sensing

### Application ideas



Blue Diamond has the performance to overcome installation difficulties – just plug and play, fit and forget.

The revolutionary patented principle makes it inherently reliable and is backed by our two year warranty. Who else offers that?

You can prevent call-outs to stalled or clogged minis and forget servicing split peristaltic tubes and worn gearboxes.

With new low cost Blue Diamond there's no cost penalty up front but big savings on installation and in service beyond.

**Blue Diamond – why risk anything else?**

tel: +44 (0)1932 355277

email: [bd@charlesausten.com](mailto:bd@charlesausten.com)

web: [www.bluediamondpump.com](http://www.bluediamondpump.com)

Charles Austen  
Pumps Ltd

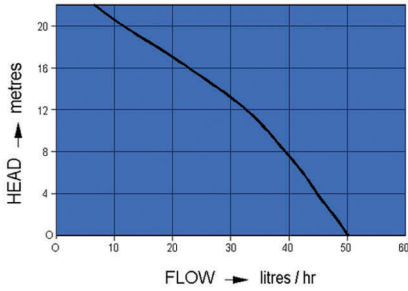




# BlueDiamond™

The only fit and forget condensate pump

## Performance/Technical



Exceptional performance from a small package:-

Flow rate up to 50 litres/hour

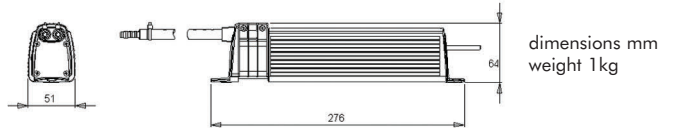
Max head 20 metres+ (pumps up 6 storeys!)

Dry suction lift up to 7 metres - self priming

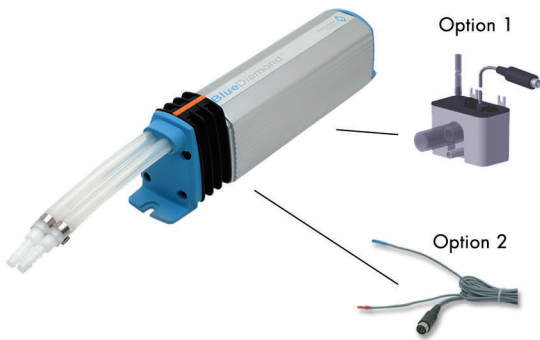
Very quiet and low vibration

Power supply 230V - Internally transformed to 12V

Thermally protected pump



## Specifying Blue Diamond



### Pump kit

Complete with in and out tubing and connections, anti vibration feet and mountings, integral volt free alarm module and 3 core power cord (2m)

Sensing choices - choose either

Option 1 - Reservoir Sensor (energy efficient)

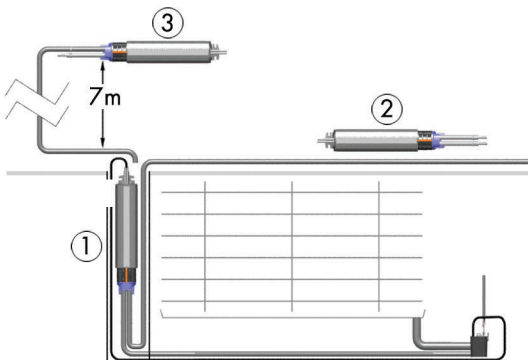
Connect drip tray to reservoir in which the presence of condensate trips the hi-low solid state level sensors to switch pump on/off. Runs pump only when condensate produced. Alarm shuts off A/C in fault mode, restarts when clear.

or

Option 2 - Hot and Cold sensor

Hot-cold thermistors mounted in air inlet and outlet of room unit sensing when cooling occurs. Runs pump constantly when A/C "on" regardless of whether producing condensate. Failsafe circuit inactive.

## Siting - Installation Possibilities



① inside trunking

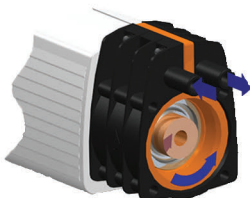
② above ceiling

③ remote

Blue Diamond pump is slim enough to fit into trunking, powerful enough for distant location and quiet enough for ceiling mounting. It's your choice.

Commissioning is so easy, link pump to sensing option with single wire DIN plug and connect in/out tubing provided - plug and play, fit and forget!

## Revolutionary pumping principle



### Patented rotary diaphragm pump

Making all these advantages possible is our advanced rotary diaphragm technology. The condensate is drawn into the pump by vacuum then mechanically driven within a re-inforced elastomer diaphragm to the outlet under pressure. This system even tolerates suspended solids and light slurries and also happily runs dry.

## Blue Diamond Condensate Pumps - the reliable alternative

Charles Austen  
Pumps Ltd



Royston Road, Byfleet, Surrey, KT14 7NY, England/UK  
Tel: +44 (0)1932 355277 Fax: +44 (0)1932 351285

Web: [www.bluediamondpump.com](http://www.bluediamondpump.com)  
Email: [bd@charlesausten.com](mailto:bd@charlesausten.com)