

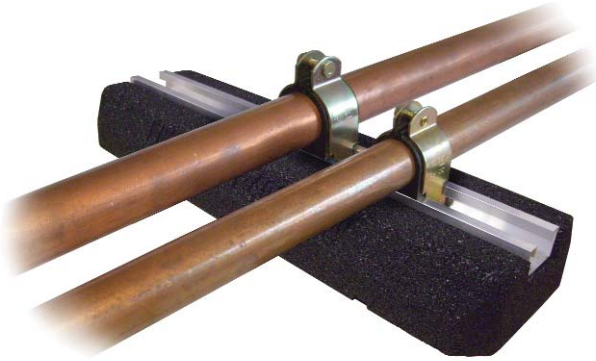


**BIG FOOT  
SYSTEMS**

# Fix-it Foot Low

The smaller, lighter alternative to the existing Fix-it Foot range.

For supporting small pipe work systems, ductwork runs & cable trays. Also can be used to support lightweight air conditioning units on flat roofs.



## Dimensional Data & Product Weights

Two sizes of Fix-it Foot Low are available:

Fix-it Foot Low	Length (mm)	Width (mm)	Height (mm)	Weight (Kg)	Part No.
<b>250</b>	250	130	50	1.05	B9043
<b>400</b>	400	130	50	1.65	B9045

## Accommodates

40 x 20mm Aluminium Channel supplied recessed & bonded into the top face of the foot.

## Working Conditions

Suitable for internal or external applications in temperatures between -20°C to +80°C

## Fix-it Foot Low Rubber Foot

### Quality Assurance

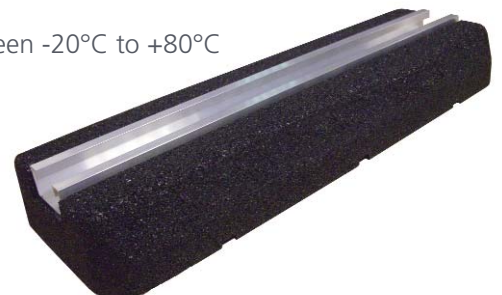
Raw materials are selected from ISO9002 registered suppliers

### Construction

Pressure moulded using a one or two part mix, utilising milled, sieved & graded Styrene Butadiene Rubber (SBR-Recycled Rubber). Bound using a ratio of high quality moisture curing Polyurethane Pre-Polymer. Manufactured with a built in shrinkage allowance.

### Safety Standards

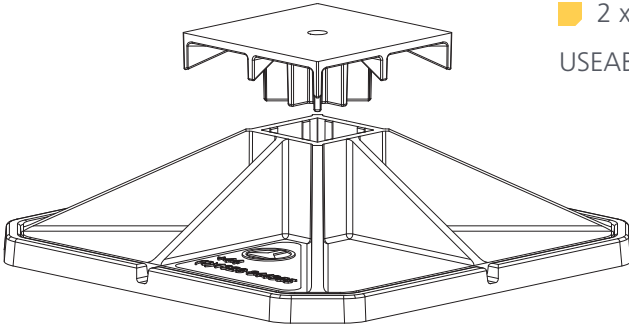
All parts of British Standard BS7188:1989 & BS5696 Part 3:1979  
European Standard PR EN 1177  
U.S.A. Standard ASTM F 1292-99



### COMPONENTS

- 2 x FLAT PLATFORM (WITH M10 INSERT)
- 2 x BIG FOOT FEET
- 2 x AV MATS

USEABLE AREA: 126mm x 126mm



### PART NUMBERS:

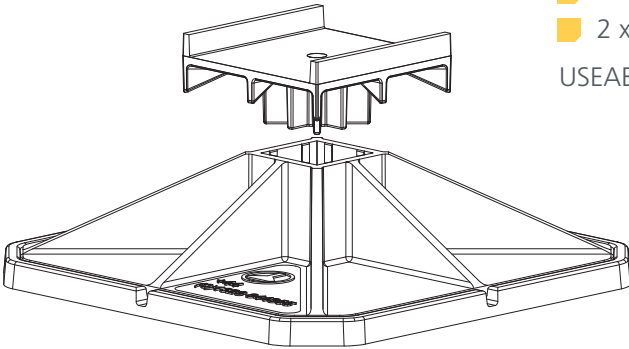
305mm <sup>2</sup> FEET	B9098
450mm <sup>2</sup> FEET	B9049

## FLAT PLATFORM

### COMPONENTS

- 2 x 2 SIDED PLATFORM (WITH M10 INSERT)
- 2 x BIG FOOT FEET
- 2 x AV MATS

USEABLE AREA: 114mm x 126mm



### PART NUMBERS:

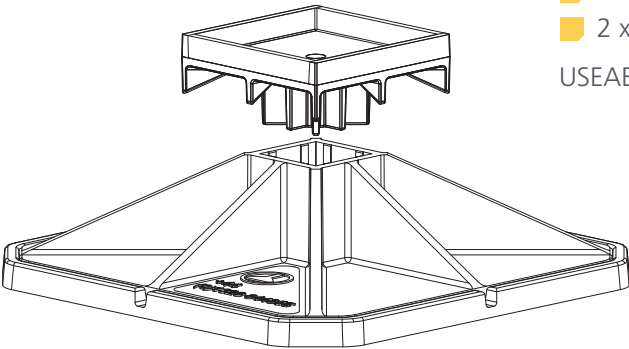
305mm <sup>2</sup> FEET	B9099
450mm <sup>2</sup> FEET	B9102

## 2 SIDED PLATFORM

### COMPONENTS

- 2 x 4 SIDED PLATFORM WITH M10 INSERT
- 2 x BIG FOOT FEET
- 2 x AV MATS

USEABLE AREA: 114mm x 114mm



### PART NUMBERS:

305mm <sup>2</sup> FEET	B9100
450mm <sup>2</sup> FEET	B9103

## 4 SIDED PLATFORM